



**WACKER
NEUSON**
all it takes!

Compaction

Rammers, vibratory plates and rollers



Your reliable solution provider

We offer customers worldwide a comprehensive product range of construction machines and equipment, spare parts and services. Since the beginnings of our company in 1848, the Wacker Neuson brand has stood for reliability and innovative strength. Companies in the main construction industry, gardening and landscaping, industry and municipalities, among other sectors, rely on the innovative solutions from Wacker Neuson.

Wacker Neuson – **all it takes!**



Our services

When you need us, we are there. We not only advise you during the purchase of your machine, but also afterwards. You can trust our expert and quick support. Find out about our extensive services for construction machines and construction equipment. With our Comprehensive Sales and Service network, we are always close by.

Experience more:

wackerneuson.com/services



Contents.

Vibratory rammers

Battery-powered rammers	4
2 stroke rammers	6
4 stroke rammers	8
Diesel rammer	9
Technical data	10

Vibratory plates

Battery-powered, single-direction vibratory plate	12
Single-direction vibratory plates	14
Reversible vibratory plates with battery drive	18
Lightweight reversible vibratory plates	20
Medium-weight reversible vibratory plates	22
Heavy-weight reversible vibratory plates	24
Remote controlled vibratory plates	26
Coupling set	29
Technical data	30

Rollers

Trench roller	34
Walk-behind tandem rollers	35
Tandem roller with electric drive	37
Tandem rollers	38
Single drum soil compactors	44
Technical data	48

Battery-powered rammers.

Working in poorly ventilated environments and trenches is not a problem with battery-powered rammers, because they do not generate direct exhaust emissions. Also, our battery-powered rammers can be started very easily at the push of a button – it doesn't get anymore comfortable. You do not even need to forgo power as the battery-powered rammers provide the same performance as their gasoline-powered counterparts.

Performance

- Active cooling for optimal temperature management and performance capability, even when the ambient temperatures are hot
- The battery standby mode makes the starting procedure easier

Efficiency

- Low energy costs and thus high savings over the long service life
- The Battery One battery can also be used for all other battery-powered construction equipment from Wacker Neuson (more on page 12)
- The battery can be replaced in a few simple steps



Operator-friendliness

- The operator is not exposed to any exhaust emissions
- Battery-powered rammers can be used without restrictions in trenches, tunnels and interior spaces

Comfort

- The angled guide handle ensures ergonomic handling

Maintenance

- Thanks to the electric motor, maintenance work is completely eliminated



Healthier work; the operator is not exposed to direct exhaust emissions.



Battery One app - information on battery usage, battery status, and software updates comfortably via a smartphone.



Starting at the push of a button – comfortably without a cable pull and at any outside temperature.

	AS30e	AS62e	AS68e
Ramming shoe size B (mm)	150	250	250
Operating weight (kg)	41.7	69	69
Stroke at ramming shoe (mm)	40	43	56
Max. percussion rate (1/min)	820	680	680
Type of drive	Electric drive	Electric motor	Electric motor

2 stroke rammer.

Vibratory rammers with 2-stroke engines are only available from Wacker Neuson. The powerful and self-developed engine WM80c is perfectly adapted to the requirements of vibratory rammers. For productive work and excellent results.

Performance

- Optimized cooling air flow for performance even at high outside temperatures
- Efficient air filter for consistently high engine output

Efficiency

- Engine can be started without problems even after lying in side position
- Strong work performance due to large stroke, combined with high impact energy, high ramming frequency and fast forward travel
- Sturdy engine developed specifically for vibratory rammers makes maintenance easy and saves spare parts costs

Comfort

- Narrow, compact design with optimum machine center of gravity facilitates maneuvering
- Angled guide handle provides ergonomic grip and relieves strain on the wrists



Environmental friendliness

- Very low CO emissions (carbon monoxide), thus unproblematic application in trenches

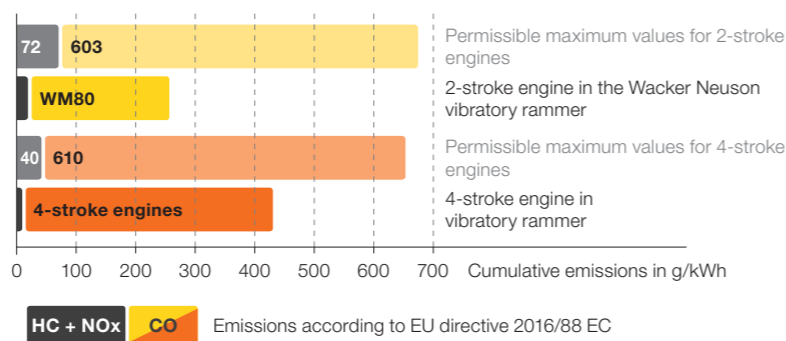
Transport

- Large, flexible lifting eye
- Transport rollers on the handle for easy pushing onto the truck bed

	BS30	BS62-2	BS68-2
Operating weight (kg)	30	58	64



Clean working: A catalytic converter is installed as standard—only Wacker Neuson offers this.



Emission values of gasoline rammers



The carry handle on the ramming shoe sits particularly well in the hand due to the rounded-off edges, thus enabling easy transportation.



Due to the transparent fuel filter within view of the operator, the fuel flow can be easily checked.



BS30 – The specialist for narrow trench applications and pipe spandrel compaction.

4 stroke rammer.

The work performance of the 4 stroke rammers impresses every day. Well thought-out functions make the use of the equipment even more comfortable, extend their long service life and minimize maintenance.

Performance

- High compaction performance thanks to long stroke and high impact force
- Efficient air filter for consistently high engine output

Comfort

- Just one lever for starting, idling and stopping; with integrated fuel cock
- LED oil level warning display
- The specially spring-mounted guide handle reduces hand-arm vibrations (HAV)
- The angled shape of the guide handle ensures an ergonomic gripping position

Efficiency

- The fast travel speed allows efficient working with high surface performance

Maintenance

- Honda is represented internationally as an engine manufacturer. So spare parts are available quickly



BS62-4

Diesel rammer.

The DS70 is a well-balanced machine with compact dimensions and low CO₂-emission. Therefore, it is also well suited for compaction work in trenches. The DS70 offers strong performance for the compaction of cohesive, mixed and granular soils.

Comfort

- Just one lever for starting, idling and stopping; with integrated fuel cock
- Very large tank for long, uninterrupted work
- No need for a second fuel on the construction site

Efficiency

- Time and costs can be saved due to the high compaction performance



DS70



EQUIPTRACK

- EquipTrack enables the complete and precise collection of operational data via a Bluetooth module for more efficient and more transparent processes on the construction site.
- EquipTrack can be easily installed on the device, and retrofitting is also possible without any problems.
- The recorded operating data can be seen via the smartphone app.

	BS62-4	BS68-4	DS70
Operating weight (kg)	64	70	83
Type of drive	4-stroke engine		Diesel engine



Exact unit guiding – important during compaction in border areas.

Technical data.

	Unit	AS30e	AS62e	AS68e	BS30	BS62-2	BS68-2	BS62-4	BS68-4	DS70
Length x width x height	mm	620x361 x 1,046	625x360x925	625x360x925	620x363x980	673x343x940	673x343x965	662x347x920	662x347x950	735x370x1,000
Ramming shoe size (B)	mm	150	250	250	150	150 280	280 150	280	280	280
Operating weight	kg	41.7	69	69	30	58	64	64	70	83
Stroke at ramming shoe	mm	40	43	56	42	81	83	68	63	75
Max. percussion rate	rpm	810	680	680	795	687	687	689	689	670
Operating speed	m/min	–	10	14	–	15	14	12	12	13
Drive	–	Electric drive	Electric motor	Electric motor	Air-cooled single-cylinder 2-stroke gasoline engine	Air-cooled single-cylinder 2-stroke gasoline engine		Air-cooled single cylinder 4-stroke gasoline engine		Air-cooled, single cylinder, diesel engine
Engine manufacturer	–	Wacker Neuson	Wacker Neuson	Wacker Neuson	Wacker Neuson	Wacker Neuson	Wacker Neuson	Honda	Honda	Yanmar
Type of drive	–	Electric drive	Electric motor	Electric motor	WM80	WM80c	WM80c	GXR120	GXR120	L48
Displacement	cm ³	–	–	–	80	80	80	121	121	211
Max. output (DIN ISO 3046)	kW	–	–	–	1.1	1.8	1.9	2.7	2.7	3.1
At rpm	rpm	–	–	–	4,400	4,400	4,400	3,600	3,600	3,450
Fuel to oil ratio	–	–	–	–	50: 1	100: 1	100: 1	–	–	–
Fuel consumption	l/h	–	–	–	0.9	1.2	1.2	0.75	0.75	0.9
Tank capacity (fuel)	l	–	–	–	2.2	2.9	2.9	3.0	3.0	4.2
Tank capacity (oil)	l	–	–	–	–	–	–	–	–	–
Range per battery charge (BOB10)	m	495	264	260	–	–	–	–	–	–
Range per battery charge (BOB14)	m	770	352	312	–	–	–	–	–	–

Technical data battery	Unit	BOB10	BOB14
Dimensions (Length x width x height)	mm	296 x 396 x 322	296 x 396 x 322
Operating weight	kg	9.7	9.96
Capacity	Ah	20	28
Energy content	Wh	1,008	1,425
Rated voltage	V	51	51



Oil.max, the premium oil from Wacker Neuson.

The high-quality, fully synthetic 2-stroke oil prevents wear in a sustained manner. Ensures a long service life of your equipment

The Wacker Neuson product range includes over 300 different product series with different versions. The product data may vary accordingly with the selection of different options. Not all Wacker Neuson products listed or shown here are however available or allowed in all countries. The Wacker Neuson products shown are examples and as such are subject to changes. We are happy to make you a specific offer upon request!

Reproduction only with the written approval of Wacker Neuson.

© Wacker Neuson SE

Battery One – One battery for all purposes.

Three battery versions – BOB5, BOB10, BOB14.

With the Battery One batteries, you can power a variety of construction equipment – regardless of manufacturer.

- Specially developed for tough application on the construction site
- Complete all the tasks of a typical workday with just one battery charge
- Battery is changed without tools and in just a few easy steps



Charging and transport solutions

With the Battery One battery chargers, your battery will be ready for use again in a short time. With the quick battery charger after just a maximum of 140 minutes of charging time.

Battery One also offers practical Systainer brand transport and charging boxes.

	BOB5	BOB10	BOB14
Installed capacity (Wh)	504	1,008	1,425
Weight (kg)	6.4	9.7	9.96
	BOC7	BOC13	
Charging current (A)	7	13	
Charging time (min) (BOB5/BOB10/BOB14)	90/160/255 Min.		50 / 95 / 140 min.

Battery-powered, single-direction vibratory plate.

The battery-powered single-direction vibratory plates by Wacker Neuson work completely emission-free and are thus suited for many sensitive areas of application. These can do everything that a normal vibratory plate can do: compacting soils, vibrating paving stones and - with optional water tank - compacting asphalt.

Performance

- Battery charge is sufficient for the typical work of a full day. Consistent performance over the entire discharge phase of the battery

Transport

- The guide handle can be collapsed, which enables very compact transport and storage dimensions

Efficiency

- **DIREX**: Unique direct drive without V-belts offers efficient performance and long battery running time
- Low energy costs due to charging with electricity
- The Battery One battery can also be used for all other battery-powered construction equipment from Wacker Neuson (more on page 11)



	AP2560e
Operating weight (kg)	143
Range per battery charge BOB10 ² (m ²)	307
Range per battery charge BOB142 (m2)	528



With its high speed and wide base plate, the AP2560e is ideal for vibrating large paved surfaces.



No exhaust emissions, protects operators and the environment, and opens up new areas of application.



Starting at the push of a button – comfortably without a cable pull and at any outside temperature.

The APS series.

The APS-series is characterized by its excellent driving properties. The guide bar responds to steering movements while simultaneously presenting the largest possible reduction in hand-arm vibrations. Turning and steering movements are transferred very easily to the machine. Even clean finishes at curbs are easy to produce due to the angular side edges of the base plate.

Maintenance

- Maintenance-free electric motor without V-belt

Comfort

- The battery can be removed without tools in a few simple steps
- The low hand-arm vibration (HAV) values (< 5 m/s²) enable comfortable work

Quality

- Base plate made of extremely sturdy nodular cast iron and sturdy bearings for a long service life



	APS1030e	APS1135e	APS1340e
Operating weight (kg)	50 ¹	58 ¹	68 ¹
Range per battery charge BOB10 ² (m ²)	430	540	650
Range per battery charge BOB142 (m2)	610	765	920

	APS1550e	APS2050e
Operating weight (kg)	77 ¹	87 ¹
Range per battery charge BOB10 ² (m ²)	720	800
Range per battery charge BOB142 (m2)	960	1065

1 Water tank model plus 5 kg
2 Depends on the soil and environmental influences

Single-direction vibratory plates.

These vibratory plates are at home on asphalt and soil. With the BPS- and DPS-series, you not only work comfortably, but also efficiently and economically. They are optimally suited for processing surface and subbases. They were designed for tough, long-term application on the construction site. The engines, equipped with large power reserves, as well as the maintenance-free and durable exciter bearings, contribute to this. The easy-to-reach throttle lever and vibration damped guide handle offer a high degree of operating comfort.

Comfort

- Large lifting eye, usable as a guiding aid
- The guide handle responds clearly to steering movements
- Low HAV, for greater working comfort
- When the wheel set is folded down, the guide handle locks automatically. Conversely, the guide handle is automatically unlocked when you fold up the wheel set
- Paving pad is hooked into the base plate at the front and tightened with nuts

Quality

- Permanently lubricated ball bearings
- Wear-resistant base plate made of nodular cast iron (GJS 700)



BPS1340

Transport

- Forward-swiveling guide handle offers compact transport and storage dimensions
- Lift handle at the front of the base plate is wide enough for two hands

Efficiency

- The water tank with hinged lid is firmly mounted on the machine
- The large water tank (9 liters) enables long periods of uninterrupted work



DPS2050



The paving pad (accessories) protects sensitive paved surfaces when vibrating. With only two bolts, it can be quickly fastened to the machine.



The wheel set (accessories) can be mounted easily. When folded down, the guide handle is automatically locked, and when folded up, released again.

	BPS1030	BPS1135	BPS1340	BPS1550	BPS2050
Operating weight kg	53	61	71	84	94
Centrifugal force (kN)	10	11	13	15	20
Drive	Gasoline engine, Honda GX120, Briggs & Stratton XR550			Honda GX160, Briggs & Stratton XR750	

1 Water tank model plus 5 kg

Single-direction vibratory plates.

The single-direction vibratory plates of the WP-series can manage in any narrow space and are thus particularly suitable for small areas. Thanks to the centrally affixed guide handle, they are easy to maneuver and particularly agile.

Efficiency

- The high travel speed ensures high productivity
- Sturdy design for effective long-term application
- Full width sprinkling without wasting water

Comfort

- Centered attachment of the guide handle for effortless turning
- Water tank with hinged lid and large rotary knob to regulate the amount of water

Maintenance

- Particularly wear-resistant V-belt, protected from damage by housing. Easy re-tightening possible
- Lifelong lubricated ball bearings
- WP1550e: Maintenance-free electric motor without V-belt



Quality

- The sturdy protective frame protects the engine and water tank from damage
- The rounded edges minimize the formation of stress edges when turning the vibratory plate
- Base plate made of nodular cast iron (GJS700)
- Sturdy design for effective long-term application

Transport

- Wheel set available as accessory

Efficiency

- **DIREX**: Unique direct drive without V-belts offers efficient performance and long battery running time
- The Battery One battery can also be used for all other battery-powered construction equipment from Wacker Neuson (more on page 11)



The large water tank holds 12.5l and allows long work applications without refilling.



The tubular frame with integrated lifting eye can also be used laterally as a control handle, ideal for compaction along edges.



Low hand-arm vibration (HAV) values (< 5 m/s²) for working comfort even during prolonged application of the WP1550.

	WP1550	WP1550e
Power output (kN)	15	15
Weight (kg)	90-98	83-91
Engine type / drive system	Gasoline engine	Electric motor / DireX

Reversible vibratory plate with battery drive.

The APU3050e is a technological milestone: It is the world's first reversible vibratory plate equipped with a direct drive without V-belts. It thus offers high compaction efficiency and complete freedom from maintenance. The emission-free drive and the low overall height make it the ideal compaction equipment for shoring in trenches.

Performance

- Consistent power output over the entire battery running time

Quality

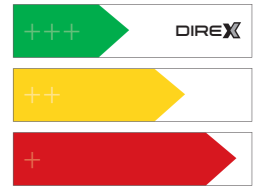
- All-round protection due to steel cover
- Battery developed by Wacker Neuson
- Vibratory plate made of extremely sturdy, wear resistant materials
- Base plate made of nodular cast iron (GJS700)

Comfort

- Starts with a push of a button
- Intuitive guide handle with variable speed and direction change simply by turning the handle over
- Durable, self-engaging center pole lock for quick and reliable transport securing
- Low HAV (< 2.5 m/s²)



DIREX: Unique direct drive without V-belts offers efficient performance and long battery running time when compared with battery-powered equipment from other manufacturers.



Environmental friendliness

- Because the machines are emission-free, new applications open up in areas with special requirements

Efficiency

- Lowest overall height for application in trench shoring
- Battery can be changed quickly and without tools
- Lifting eye suitable for different lifting tackles
- Integrated wheel set

Maintenance

- Motor mounted directly on the base plate without V-belt - no maintenance required



The operator can easily access the switch on the center pole.



With one battery charge, the APU3050e compacts up to 333 m² soil*.



Battery change in just a few, quick steps.

	APU3050e
Power output (kN)	30
Operating weight kg	2012
Drive	Electric drive
Range per battery charge BOB10 (m ²)	238
Range per battery charge BOB14 (m ²)	333

* Depends on the soil and environmental influences.

Lightweight reversible vibratory plates.

More operating comfort due to the forward and reverse travel direction combined with a compact design – that is what the small reversible vibratory plates from Wacker Neuson offer you. A finely coordinated portfolio offers the right model for every requirement.

Performance

- Rounded edges minimize the formation of stress edges when turning the vibratory plate

Efficiency

- Sturdy transport roller with a wide contact surface prevents tracks in fresh asphalt
- Sprinkler system for optimal water distribution across the entire width of the base plate

Quality

- Sturdy protective frame for engine and water tank
- Base plate made of high quality nodular cast iron: for easy turning on asphalt, without scarifying



WPU1550

WPU1550

Performance (kN)	15
Weight (kg)	90
Drive	Gasoline engine



Very easy to maneuver: thanks to the specially shaped base plate of the WPU1550.



Perfect center pole attachment: self-locking and absolutely backlash-free.



DPU series

Efficiency

- Compact dimensions, high performance
- Integrated wheel set
- High surface performance through fast advance travel
- Lifting eye can be folded, thus the vibratory plate achieves compact dimensions and can be guided more easily, for example, under low obstructions
- Widths from 40 to 70 cm available

Maintenance

- Very good accessibility to all maintenance points

Comfort

- The height of the center pole is easily adjustable
- Intuitive guide handle with variable speed adjustment
- Electric starter is available as an option for the DPU3050, DPU3060, DPU3750 and DPU3760
- Integrated wheel set: maintenance-free and sturdy – even in the toughest conditions

Quality

- The vibratory plate is made of extremely sturdy, wear resistant materials
- Base plate made of nodular cast iron (GJS700)



Top-Speed-Version: for high surface performance in laying paving stone.

	DPU 2540*	DPU 2550	DPU 2560	DPU 3050*	DPU 3060*	DPU 3070*	DPU 3750*	DPU 3760
Performance (kN)	25	25	25	30	30	30	37	37
Weight (kg)	145–160	166	171	181–206	190–215	195	247–265	274
Drive	Diesel engine							

* Models optionally also available with gasoline engine (BPU)

Medium-weight reversible vibratory plates 300 – 600 kg.

The medium-weight reversible vibratory plates offer high productivity as a result of its high compaction force in combination with fast forward and reverse travel speeds. They are the all-rounders for all construction sites where high demands are placed on the performance efficiency of a unit. In addition, they offer excellent characteristics in terms of long service life and operating comfort.

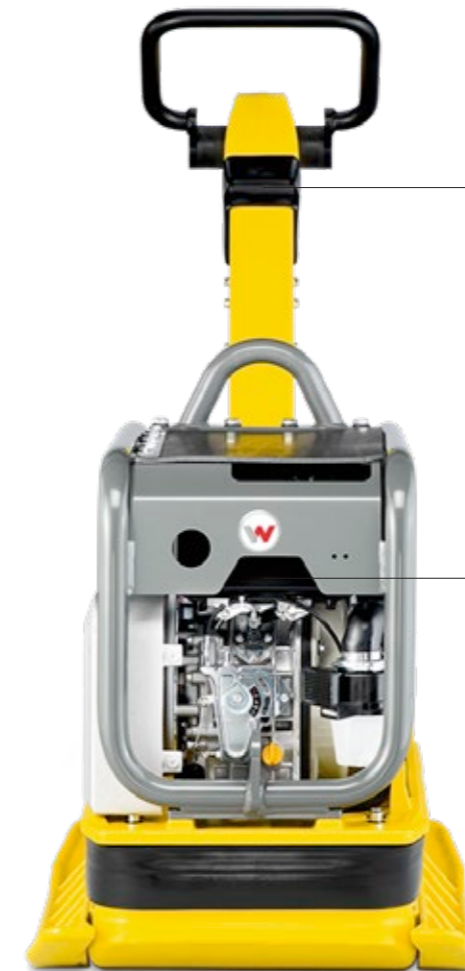
DPU series

Efficiency

- Compact dimensions, high performance
- High surface performance through fast advance travel
- With an exciter frequency of 69 Hz, the vibratory plate is universally deployable for various construction processes

Quality

- Base plate made of nodular cast iron (GJS700)
- The sturdy pipe frame offers all-around reliable protection of the engine



Comfort

- Low HAV (< 2.5 m/s²)
- The height of the center pole is easily adjustable
- The sturdy, self-engaging center pole lock offers a very fast and reliable retainer for transport
- Intuitive guide handle with variable speed adjustment

Maintenance

- Very good accessibility to all maintenance points
- If the battery is discharged, the machine can be jump-started very quickly via a removable pin



Safe in every case: If the guide handle is released, the unit only vibrates on the spot.



Compatec compaction display: it indicates when the maximum compaction has been achieved with a unit. Learn more at: www.wackerneuson.com/compatec



No documentation requirement: Hand-arm vibrations (HAV) are below 2.5 m/s² thanks to the vibration-reduced center pole.

	DPU 40	DPU 45	DPU 4545	DPU 5545*	DPU 6555
Performance (kN)	40	45	45	55	65
Weight (kg)	383	385	402–425	399–447	480–527
Type of engine	Diesel engine				

* Models optionally also available with gasoline engine (BPU)

Heavy-weight reversible vibratory plates > 600 kg.

The heavyweight reversible vibratory plates offer an uncompromisingly strong compaction performance with compact dimensions and a high level of operating comfort. Therefore, they are the compaction machine of choice for demanding compaction work such as road construction. The water-cooled engine provides reliable high performance. The product range consists of high-performance, heavy-duty vibratory plates with centrifugal forces ranging from 80 to 110 kilo newtons.



Safety

- Lockable machine hood; this way, all important parts, e.g. ignition lock, operating panel, fuel tank, and remote control, are protected from unauthorized access
- Starter Pin can be programmed individually

Efficiency

- High performance with compact dimensions
- The low overall height allows passage below transverse spindles in shoring
- The water-cooled engine offers reliable cooling even at high external temperatures

Maintenance

- The concept consisting of a two-piece hood, protective frame and side panels, enables individual parts to be replaced very affordably if damaged
- The high capacity of the air filter ensures long maintenance intervals and saves time and costs

	DPU80	DPU90	DPU110
Performance (kN)	80	90	110
Weight (kg)	756/771	756/771	813/830
Operating width (mm)	670/770	670/770	870/970

Comfort

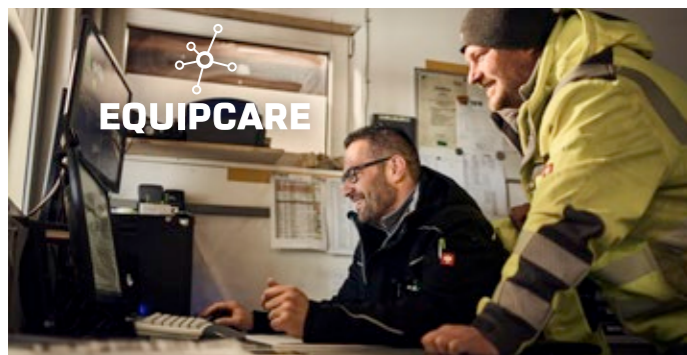
- Low HAV (< 2.5 m/s²)
- The engine can be conveniently started at the push of a button
- Simple height adjustable center pole
- Intuitive guide handle with variable speed adjustments
- The control panel can be used in 12 languages.
- Large tank, one filling is enough for a normal working day

Transport

- Large, easily accessible tie-downs and therefore less transport damage
- The sturdy, self-engaging center pole lock offers a very fast and reliable retainer for transport

Quality

- The vibratory plate is made of extremely sturdy, wear resistant materials
- The autostart ensures that the engine starts only at the optimum temperature



The Compamatic (accessories) combines the compaction control Compatec with a Telematics function. The compaction results of a machine can be tracked at any time from your desk in the EquipCare manager.



Compatec compaction control shows the operator when the best possible compaction has been achieved with this machine. This saves excess passes and time.



Strong performance for demanding compaction work in road construction.



Compamatic heat map for compaction control from your desk.

Heavyweight remote controlled reversible vibratory plates DPUr > 700 kg.

Sturdy and compact in design, the remote-controlled vibratory plates offer the same high compaction performance as the models with center pole. The convenient remote control with two joysticks allow the operator to work away from vibrations, exhaust emissions and noise pollution. The innovative control unit simultaneously controls forward travel and turning movement allowing the plate to be steered efficiently and precisely even on curves and around obstacles.

Transport

- Large, easily accessible tie-downs and therefore less transport damage

Maintenance

- The concept consisting of a two-piece hood, protective frame and side panels, enables individual parts to be replaced very affordably if damaged
- The high capacity of the air filter ensures long maintenance intervals. This saves time and expense

Efficiency

- Compamatic (optional) helps plan out construction site processes better, ensuring quality (see info page 24)
- The low overall height allows passage below transverse spindles in shoring
- The water-cooled engine offers reliable cooling even at high external temperatures

Quality

- Made of extremely sturdy, wear resistant materials
- The autostart ensures that the engine starts only at the optimum temperature



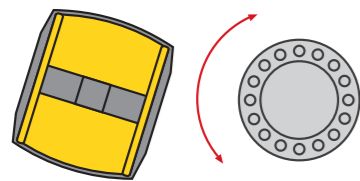
Comfort

- The engine can be conveniently started at the push of a button
- The control panel can be used in 12 languages
- Large tank, one filling is sufficient for 4 hours of continuous use

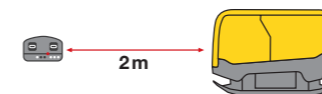
Safety

- Lockable machine hood; this way, all important parts, e.g. ignition lock, operating panel, fuel tank, and remote control, are protected from unauthorized access
- Starter Pin can be programmed individually
- Infrared remote control with many safety features ensures that the operator works away from noise and exhaust emissions

	DPU80r	DPU110r
Power output (kN)	80	110
Weight (kg)	709/724	793/810
Operating width (mm)	670/770	870/970



Direction change while traveling: for clean turning of curves and a high compaction performance.



Intelligent proximity recognition sensor: The machine stops automatically when the minimum safety distance between the operator and the machine is less than 2 m.



Remote-controlled vibratory plate DPU130r.

The DPU130r is the most powerful vibratory plate in the market. With a centrifugal force of 130 kN and an operating width of 120 cm, it easily achieves the productivity of a 7 ton-roller – however, thanks to its lower acquisition and operating costs, it is much more economical.

Efficiency

- Accurate control with the fully-hydraulic, variable exciter adjustment
- Only a few passes required through high depth effect

Quality

- Autostart with pre-heat and warm-up phase
- The base plate is made of nodular cast iron (GJS700)

Comfort

- Control panel in 12 languages offers a wide range of comfort and diagnostic functions
- There is a large intermediate space between the upper mass and the base through which dirt and stones are transported outwards during operation
- The best service access – simply fold open the cover

DPU130r



Coupling set.

The coupling set is the ideal machine for crushed stone compaction in railway construction. It is light enough not to sink into the track bed and has a large operating width of three meters. Therefore, the entire track bed can be compacted with a few passes. The remote control allows the operator to work outside of the danger area, standing away from dust, exhaust emissions and noise pollution. The three-coupled DPU110 vibratory plates can also be uncoupled; thus, they can be used and transported individually.

Efficiency

- Unique operating width of 3 m for the compaction of large areas
- The standard Compamatic helps plan out construction site processes better, ensuring quality (see info page 24)

Quality

- The vibratory plate is made of extremely sturdy, wear resistant materials
- The autostart ensures that the engine starts only at the optimum temperature

Comfort

- Engine start at the push of a button
- Control panel in 12 languages
- Large tank, one filling is sufficient for 4 hours of continuous use
- Large, easily accessible lashing eyes

Safety

- The machine's protective hood can be locked; this way, all-important parts, e.g. ignition lock, operating panel, fuel tank, and remote control, are protected from unauthorized access
- Starter Pin can be programmed individually

Maintenance

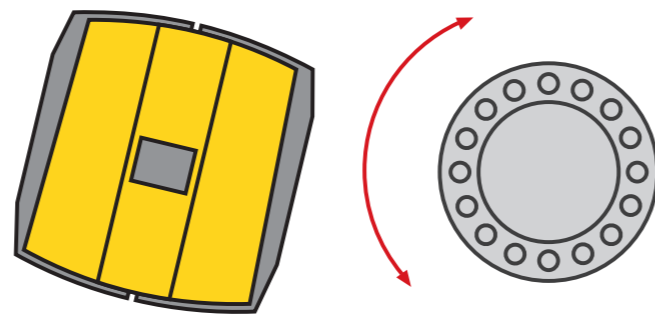
- The concept consisting of a two-piece hood, protective frame and side panels, enables individual parts to be replaced very affordably if damaged
- The high capacity of the air filter ensures long maintenance intervals



DPU110



A low loader is not necessary: the DPU130r only weighs 1,200 kg and can be transported on a truck bed.



Excellent steering: continuous speed adjustment with simultaneous highest reaction speed.



Stable coupling: quickly and reliably connected with a few screws.

Accessories for vibratory plates.



Water tank (liters)

Transport device

Paving pad

APS1030e, APS1135e, APS1340e, APS1550e, APS2050e	○ (8)	○	○
APS1030we, APS1135we, APS1340we, APS1550we, APS2050we	● (8)	○	○
AP2560e	-	○	○
APU3050e	-	●	○
BPS1030A, BPS1135A, BPS1340A	○ (8)	○	○
BPS1030Aw, BPS1135Aw, BPS1340Aw	● (8)	○	○
DPS2050H	○ (8)	○	○
DPS2050Hw	● (8)	○	○
WP1550e	○ (12.5)	○	○
WP1550we	● (12.5)	○	○
WP1550A	○ (12.5)	○	○
WP1550Aw	● (12.5)	○	○
WPU1550A	○ (12)	○	○
WPU1550Aw	● (12)	○	○

- not available ○ available ● integrated

Accessories for vibratory plates.



Set of extension plates in various widths

Transport device

Paving pad

BPU2540A	-	●	○
DPU2540H	-	●	○
DPU2550H	-	●	○
DPU2560H/DPU2560Hts	-	●	○
BPU3050A	-	●	○
DPU3050H/DPU3050He	-	●	○
DPU3060H/DPU3060Hts	-	●	○
DPU3070H	-	●	○
DPU3750Hts/DPU3750Hets	-	●	○
DPU3760Hts/DPU3760Hets	-	●	○
DPU4045Ye	○	○	○
DPU4545H/DPU4545He/DPU4545Heap	○	○	○
BPU5545A	○	○	○
DPU5545H/DPU5545He/DPU5545Heap	○	○	○
DPU6555H/DPU6555He/DPU6555Hec	○	-	○
DPU80	-	-	-
DPU90	-	-	-
DPU110	-	-	-
DPU80r	-	-	-
DPU110r	-	-	-
DPU130r	-	-	-

- not available ○ available ● integrated



Technical data.

APS series

Specification	Unit	APS1030e	APS1135e	APS1340e	APS1550e	APS2050e
Weight	kg	50*	59*	68*	77*	87*
Centrifugal force	kN	10	11	13	15	20
Operating width	mm	300	350	400	500	500
Frequency	Hz	98	98	98	98	98
Engine / drive system		Electric motor / DireX				
Rated power at 3,600 rpm	kW	–	–	–	–	–
Range per battery charge (BOB10)	m ²	430**	540**	624**	720**	750**
Range per battery charge (BOB14)	m ²	610**	765**	920**	960**	938**

WP series

Specification	Unit	WP1550e	WP1550
Weight	kg	83–91	90–98*
Centrifugal force	kN	15	15
Operating width	mm	500	500
Frequency	Hz	98	98
Engine / drive system		Electric motor / DireX	Honda GX160
Rated power at 3,600 rpm	kW	3.6	

BPU- & DPU-series 25–37 kN

Specification	Unit	BPU2540	DPU2540	DPU2550	DPU2560	BPU3050	DPU3050	DPU3060	DPU3070	BPU3750	DPU3750	DPU3760	
Weight	kg	145	160	166	171	181	206	190–215*	195	247	265	274	
Centrifugal force	kN	25	25	25	25	30	30	30	30	37	37	37	
Operating width	mm	400	400	500	600	500	500	600	700	500	500	600	
Vertical clearance	mm	666	736	736	736	777	777	777	777	777	777	–	
Frequency	Hz	90	90	90	90	90	90	90	90	90	90	90	
Drive		Honda GX160	Hatz 1 B 20				Honda GX270	Hatz 1 B 30			Honda GX270	Hatz 1 B 30	
Rated power	kW	3.1 (at 2,840 rpm)	3.1 (at 2,800 rpm)	3.1 (at 2,800 rpm)	3.1 (at 2,800 rpm)	5.1 (at 3,600 rpm)	4.2 (at 2,800 rpm)	4.2 (at 2,800 rpm)	4.2 (at 2,800 rpm)	5.1 (at 3,600 rpm)	4.2 (at 2,800 rpm)	4.2 (at 2,800 rpm)	
Options		–	–	–	Top Speed Version	–	Electric starter	Electric start, top speed version	–	–	Electric starter	Electric starter	

BPU- & DPU-series 40–130 kN

Specification	Unit	DPU40	DPU45	DPU4545	BPU5545	DPU5545	DPU6555	DPU80	DPU90	DPU110	DPU80r	DPU110r	Coupling set	DPU130r
Weight	kg	383	385	376*	340	399–447*	480–527*	756–771*	756–771*	813–830*	709–724*	793–810*	2,616	1,170
Centrifugal force	kN	40	45	45	55	55	65	80	90	110	80	110	3 x 110	130
Operating width	mm	440	440	450	450	604/750	710 x 860	670/770	670/770	870/970	670/770	870/970	3,000	1,202
Vertical clearance	mm	764-859	764-859	764	725	790	861	830	830	830	830	830	830	996
Frequency	Hz	69	69	69	69	69	69	56	63	60	56	60	60	58
Drive		Yanmar L70V	Yanmar L70V	Yanmar L70V	Honda GX390	Hatz 1 D 42S	Hatz 1 D 81S	Kohler 702		Kohler LDW 1003	Kohler LDW 702	Kohler LDW 1003	Kohler LDW 1003	Kohler KDW 1404
Rated power	kW	4.5 (at 3,000 rpm)	4.5 (at 3,000 rpm)	4.5 (at 3,000 rpm)	6.4 (at 2,600 rpm)	6.4 (at 2,850 rpm)	9.6 (at 2,800 rpm)	11 (at 3,600 rpm)	11.7 (at 3,600 rpm)	16 (at 3,600 rpm)	11 (at 3,600 rpm)	16 (at 3,600 rpm)	16 (at 3,600 rpm)	21 (at 2,700 rpm)
Options		Electric starter standard	Electric starter standard	Electric starter standard, operating hour meter	–	Electric starter, Compatec, operating hour meter, extra-wide extension plates	Electric starter, Compatec, operating hour meter, extra-wide extension plates, narrow protective cage	Overload protection, Compatec incl. overload protection; with electric start and operating hours meter as standard	Overload protection, Compatec incl. overload protection; with electric start and operating hours meter as standard	Overload protection, Compatec incl. overload protection; with electric start and operating hours meter as standard	Overload protection, Compatec incl. overload protection; with electric start and operating hours meter as standard	Overload protection, Compatec incl. overload protection; with electric start and operating hours meter as standard	Overload protection, Compatec incl. overload protection; with electric start and operating hours meter as standard	Standard with electric starter, operating hour meter and overload protection

– not available

* Weight depends on the additional options selected

** Depends on the soil and environmental influences

AP series

Specification	Unit	AP2560e
Weight	kg	143*
Centrifugal force	kN	25
Operating width	mm	600
Frequency	Hz	98
Engine / drive system		Electric motor / DireX
Rated power at 3,600 rpm	kW	–
Range per battery charge (BOB10)	m ²	307**
Range per battery charge (BOB14)	m ²	582**

APU series

Specification	Unit	APU3050e
Weight	kg	212
Centrifugal force	kN	30
Operating width	mm	500
Frequency	Hz	90
Engine / drive system		Electric motor / DireX
Rated power at 3,600 rpm	kW	–
Range per battery charge (BOB10)	m ²	238
Range per battery charge (BOB14)	m ²	333

BPS series

Specification	Unit	BPS1030	BPS1135	BPS1340	BPS1550	BPS2050
Weight	kg	53*	61*	71*	84*	94*
Centrifugal force	kN	10	11	13	15	20
Operating width	mm	300	350	400	500	500
Frequency	Hz	98	98	98	98	98
Engine / drive system		Honda GX120, Briggs & Stratton XR550			Honda GX160, Briggs & Stratton XR750	
Rated power at 3,600 rpm	kW	2.6	2.6	2.6	3.6	3.6
Range per battery charge (BOB10)	m ²	–	–	–	–	–
Range per battery charge (BOB14)	m ²	–	–	–	–	–

DPS series

Specification	Unit	DPS2050
Weight	kg	115*
Centrifugal force	kN	20
Operating width	mm	500
Frequency	Hz	98
Engine / drive system		Hatz 1 B 20
Rated power at 3,600 rpm	kW	3.4
Range per battery charge (BOB10)	m ²	–
Range per battery charge (BOB14)	m ²	–

WPU series

Specification	Unit	WPU1550
Weight	kg	89–96*
Centrifugal force	kN	15
Operating width	mm	498
Frequency	Hz	98
Drive		Honda GX160
Rated power at 3,600 rpm	kW	3.6

The Wacker Neuson product range includes over 300 different product series with different versions. The product data may vary accordingly with the selection of different options. Not all Wacker Neuson products listed or shown here are however available or allowed in all countries.

The Wacker Neuson products shown are examples and as such are subject to changes. We are happy to make you a specific offer upon request!

Reproduction only with the written approval of Wacker Neuson.

© Wacker Neuson SE

Trench roller RTSC3.

The RT trench roller with the SC3 infrared remote control delivers proven compaction results with safe operation. The intelligent control unit works with an infrared signal with line-of-sight control. The articulated trench roller with sheepfoot drums has exciters located under the axle in each drum for efficient transfer of compaction energy to the soil, and thus excellent compaction results. The compaction of excavated material and subbases of foundations, roads and parking lots is the specialty of RT.

Efficiency

- Low center of gravity due to the positioning of the exciters under the axle
- Two-part drums allow convenient conversion from 82 cm to 56 cm drum width
- A patented third infrared-receiver eye on the upper side of the trench roller prevents losses of signal
- Articulated steering for 1.6 m turning radius
- Selection between high and low compaction force per infrared remote control

Maintenance

- The permanently lubricated exciter and drive systems are maintenance-free
- All other machine components are easily accessible thanks to the wide-opening hoods
- LED Ring: Informs the operator about the operating and functional status of the machine
- On board display, shows all important service information

Safety

- Through the remote control, the operator is not exposed to any hazards even when compacting in the trench
- Anti-tip device: Lock mode switches off the machine when the operating angle from side to side exceeds 45°



Operator safety: a proximity sensor between the operator and the machine automatically deactivates the machine when within a 2-meter range.

Walk-behind tandem rollers RD7.

The walk-behind dual-vibration roller, RD7, supplies excellent performance in both soil and asphalt compaction - thanks to the optimally matched frequency and two vibration stages. At the same time, the roller is characterized by its ergonomically arranged operator controls, such as the engine rpm control attached to the center pole.

Efficiency

- All control elements are located directly on the guide handle
- Speed adjustment for engine with three positions (off, idling, full throttle) directly on the center pole
- Two vibration levels for different subbases
- The variable protective cage concept gives the greatest possible flexibility

Comfort

- Ergonomic handle and travel lever with recessed grips
- Vibration-damped center pole with lowest HAV in the market (< 2.5 m/s²)

Maintenance

- Easy, tool-free access to all service points
- Good visibility of fill levels



Long center pole facilitates steering and turning, especially in small areas.



Full engine protection – RD7 with steel frame

Without engine protection

The variable protective frame concept gives the greatest possible flexibility, for different requirements and applications.

Tandem rollers RD18.

The RD18 is a compact and particularly agile roller of the 1.8 ton-class. Thanks to its 3-point-articulated joint, combined with a large drum diameter, it accomplishes a uniform compaction performance and a high-quality asphalt surface. A special feature of the RD18 is the unilateral drum support with offset drums, enabling precise compaction very close along edges and walls on both sides.

Transport

- Compact transport and storage dimensions can be achieved by folding down the ROPS frame

Performance

- Three-point articulated pendulum joint for even front and rear weight distribution

Comfort

- The work platform is vibration decoupled and ergonomically designed
- The compact design allows a good view of the drums at all times

Efficiency

- All RD and RC rollers have the same simple operating concept
- The compact design enables high maneuverability on narrow construction sites and thus faster work
- Operator panel with a language-neutral, graphic and thus intuitive interface



Tandem rollers with electric drive.

The electric rollers RD24e and RD28e with an operating weight of barely 2.5 – 2.8 tonnes and a drum width of 120 centimeters, are the all-rounders for the emission-free construction site. The rollers are powered by a powerful and proven lithium-ion battery that provides up to 3.5 hours of operating time. They are charged easily and quickly at any 230 V or 400 V plug receptacle and are thus versatile.

Performance

- A 23.4 kWh lithium-ion battery with integrated cooling concept, energy recovery from the system make the rollers highly efficient
- Efficiency increase in the vibration system from approx. 32% to approx. 84%
- Energy recovery from the system

Efficiency

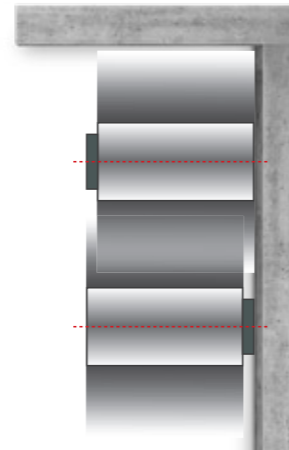
- The maintenance-free synchronous motor offers high torque and constant power output in continuous operation
- Quick and easy charging at any 230 V/400 V plug receptacle
- Electro-hydraulic driving and pure electric vibration
- A fully electric vibration system ensures maximum efficiency at low operating costs.

Environmental friendliness

- Very low noise emissions for applications in sensitive environments
- Very low service and operating costs



Tapered design for an unobstructed view of the drum edges, the machine surroundings and the construction site.



Clear sided curb clearance allows flush rolling both right and left thanks to the offset unilateral drum support; ideal for work along walls.



The maintenance-free synchronous motor not only impresses with its constant power output, it also enables a high peak load.

	RD24e	RD28e
Operating weight (kg)	2,385–2,525	2,595–2,755
Drum width (cm)	100	120

Tandem rollers RD24, RD28, RD40, RD45.

The rollers of the 2.5 ton- and 4 ton-class are compact machines for any construction site. With their three-point-articulated-pendulum joints, they always achieve even weight distribution with optimum maneuverability and driving stability. In this way, perfect and high-quality asphalt surfaces can be produced. The user benefits from the intuitive operation and the comprehensive view of the compaction area. Thanks to their compact dimensions, they can be used without any problems even in confined areas.

Efficiency

- All RD and RC rollers have the same simple operating concept
- The compact design enables high maneuverability on narrow construction sites and thus faster work
- Operator panel with graphical interface for intuitive operation
- The overhang over the drum edge first begins very far up so that, for example, compaction can also take place right up to the edge of higher walls

Performance

- The three-point articulated pendulum joint ensures an even distribution of the weight on the front and rear drums/tires



Transport

- With the ROPS frame folded down, the RD rollers achieve compact transport and storage dimensions

Comfort

- The work platform is vibration decoupled and ergonomically designed
- The operator has perfect all-round visibility. Fewer mirrors and no rear-view camera are required



Get started with the work quickly: self-explanatory display and joystick are intuitive to operate.



Safe working: good all-round visibility from the operator's seat – also of the drum and wheels



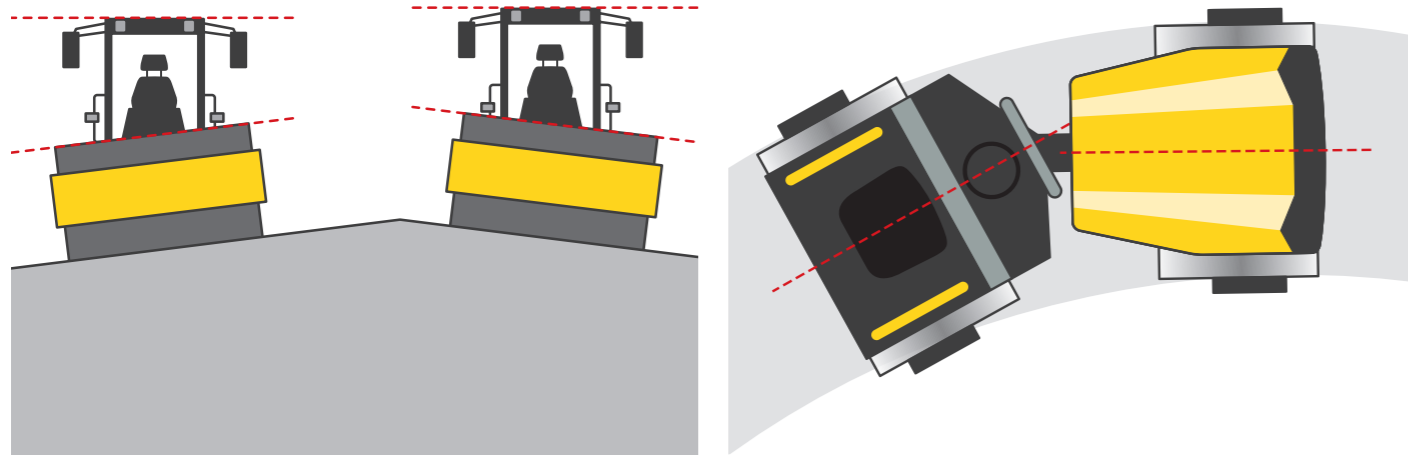
Optimum view due to the laterally adjustable seat.



Easy radiator cleaning due to separately removable flap.

The advantages of the tandem and combination rollers in detail.

From the technical outfitting for the actual compaction work to the comfort features up to the practical details for transport or maintenance: here you can see what all models have in common.



All RD models have three-point articulated pendulum joint.

Uniform compaction and high travel stability are the key advantages of the three-point-articulated-pendulum joint, with which all tandem- and combination-rollers, except RD7, are equipped. It provides a uniform pressure distribution on the tires or the drums, especially

when turning curves. In addition, it improves maneuverability and provides for maximum tipping safety and stability, even on uneven site conditions, e.g. coarse gravel.



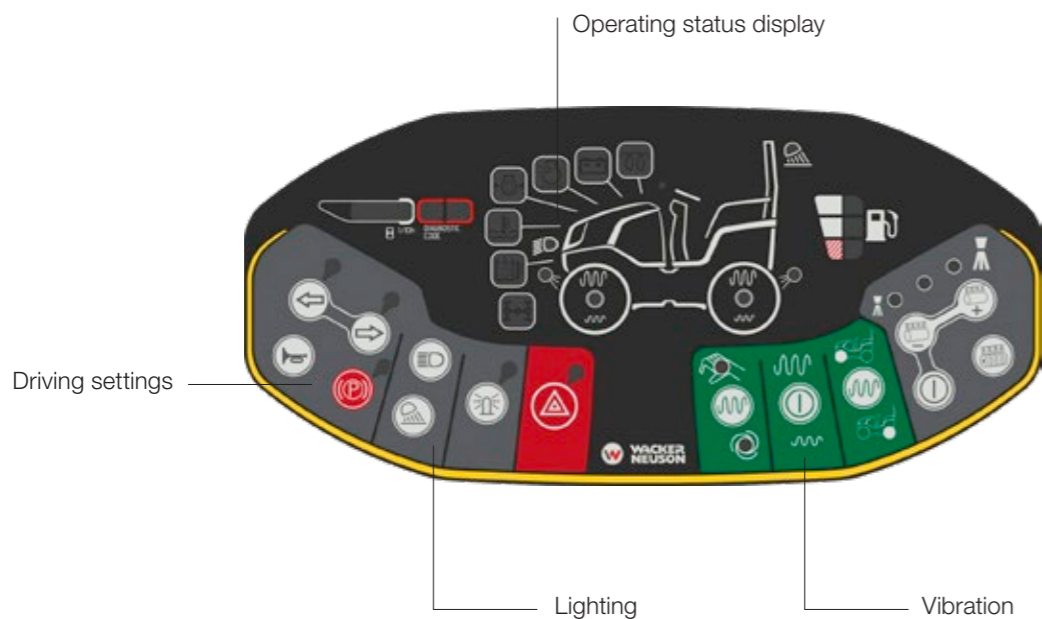
High level of comfort for the operator.

All rollers are equipped as standard with a completely vibration-insulated operator's cab. In this way, the operator is optimally protected against vibrations. Additional safety is provided by steps for convenient entry, plenty of legroom and an operator's seat that can be individually adapted to weight and height. All rollers from Wacker Neuson except the RD18-80 have a laterally movable seat



The best lighting.

Whether for work at dusk, at night or when cloudy: the rollers from Wacker Neuson provide sufficient light. Optional working lights can be attached to the ROPS- frame for the tandem-axle and combination models. Included within the range: a rotating beacon which permits the roller on public roads.



Clearly arranged display.

Self-explanatory, intuitive to operate and clearly structured: the display of the rollers from Wacker Neuson is very user-friendly. This

way, operators can manage everything starting from the first moment – an important aspect for rental yards in particular.



Standard fold-down ROPS (Roll Over Protective Structure).

The ROPS bar provides added safety. It can be folded to the rear as a standard. The roller achieves very compact transport dimensions in this way.



Simple maintenance.

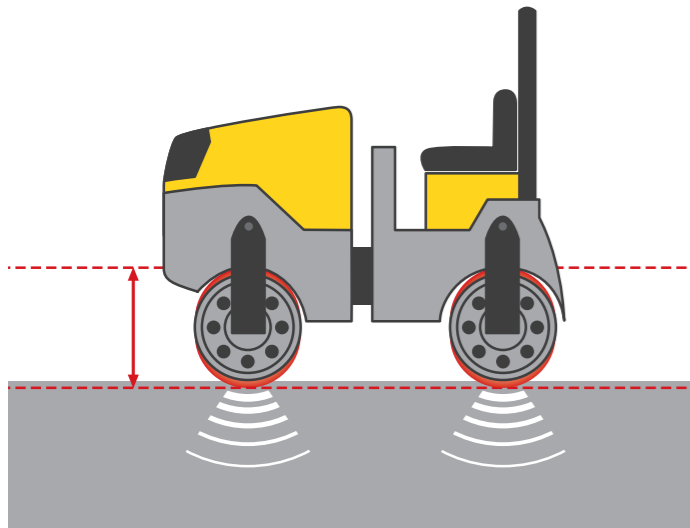
All rollers are designed so that maintenance is taken care of with a few movements: This includes good access to the entire engine compartment as well as easy exchange of the air cleaner. This saves time and money.



Practical central lifting point.

The centrally located central lifting point allows for a horizontal raising and lowering of the machine. The roller is thus easily,

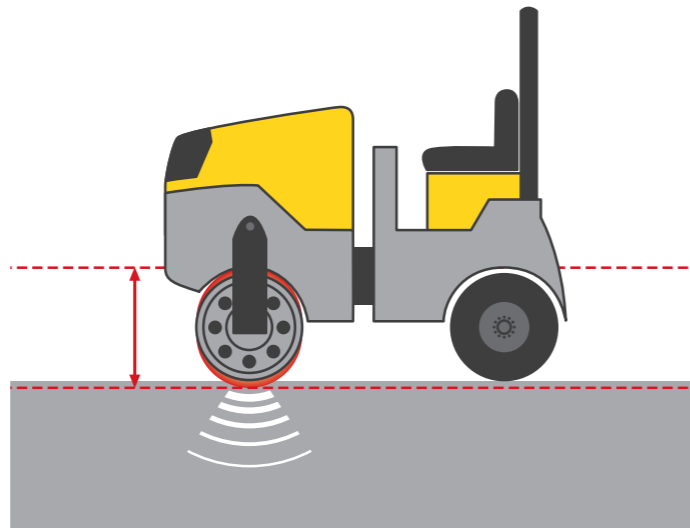
quickly and safely transferred. RD18, RD24 and RD28 have a central lifting point.



Tandem roller: front and rear with vibration drums.

The vibration drum optimally brings the material to be compacted into oscillation with quick successive vertical forces. The built-in eccentric weight provides for a fast rotation and you achieve excellent compaction performance. Ideal for: all classic compaction work.

Our tandem roller models are: RD18-80, RD18-100, RD24-100, RD28-120, RD40-130, RD45-140 and RD7



Combination roller: vibration drum in the front, tires in the rear

The combination roller is equipped with only one vibration drum. The rear axle consists of rubber tires for pressing on the asphalt. This creates particularly high quality and smooth surfaces. Ideal for: asphalt compaction on sidewalks and bicycle tracks.

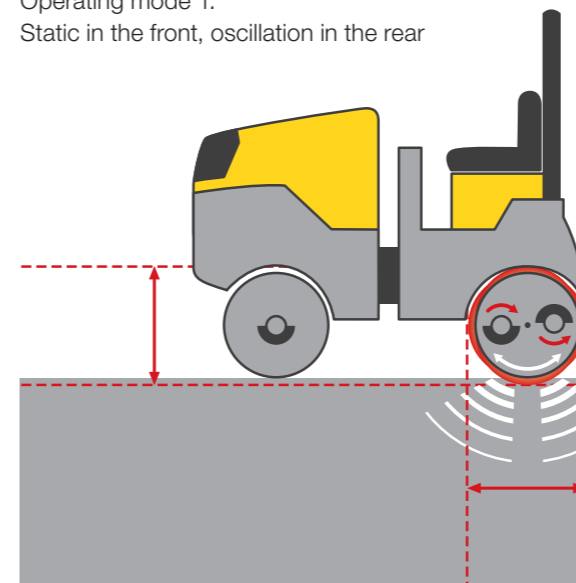
Our combination roller models are: RD18-100c, RD24-100c, RD28-120c, RD40-130c, RD45-140c

Oscillation roller: Vibration drum in the front, oscillation drum in the rear.

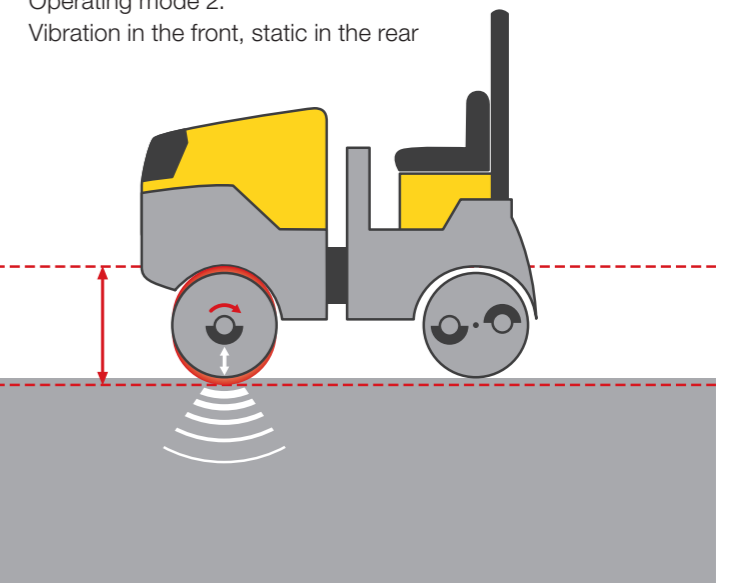
The oscillating movement is caused by a quickly changing forwards-reverse rotary movement of two masses in the drum. These forces are continuously directed into the ground in a targeted manner. At the same time, the vibration exposure is significantly lower than with a vibration drum. This also has a positive effect on the service life as well as the driving comfort of the machine.

Ideal for: Compaction work in the inner city, near vibration-sensitive structures (e.g. bridges, residential buildings, historic buildings), on seams (hot to cold) and for minor repair work. Our oscillation roller models are: RD24-100o, RD28-120o, RD40-130o, RD45-145o

Operating mode 1: Static in the front, oscillation in the rear

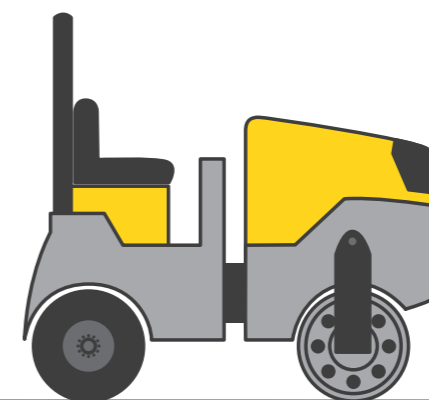


Operating mode 2: Vibration in the front, static in the rear



Larger time frame, higher surface capacity:

With oscillation, you can also compact at lower material temperatures. Compared to compaction with vibration you thus have a larger time window.



More time and flexibility

20% greater temperature range



Single drum soil compactors RC50, RC70.

A perfect view in all directions makes working with the Wacker Neuson single drum soil compactors RC50 and RC70 safer and comfortable. Thanks to the compact design, the operator always has the working area and the drums in view from his seat. With a large departure angle and excellent gradeability, it is easy to maneuver even in uneven terrain. The simple operation via an intuitively designed display and joystick also make working easier and ensure that the operator is familiar with the machine in no time.

Efficiency

- Uniform operating concept for all RD and RC rollers prevents lengthy instructions
- Operator panel has a language-neutral, purely graphic and thus intuitive interface
- Due to the drive system with wheel motors, no axle is necessary as a connection between the wheels
- The low center of gravity combined with high ground clearance ensures good handling even on uneven terrain
- Eco-mode switch reduces the engine rpm (but also the compaction performance) and thus saves up to 20% fuel during transport trips

Performance

- Hydraulic traction control (automatic slip control) provides extremely good gradeability



RC50



RC70

Comfort

- The compact design allows a good view of the drums at all times and simplifies maneuvering and driving up to the walls
- The work platform is vibration decoupled and ergonomically designed

Maintenance

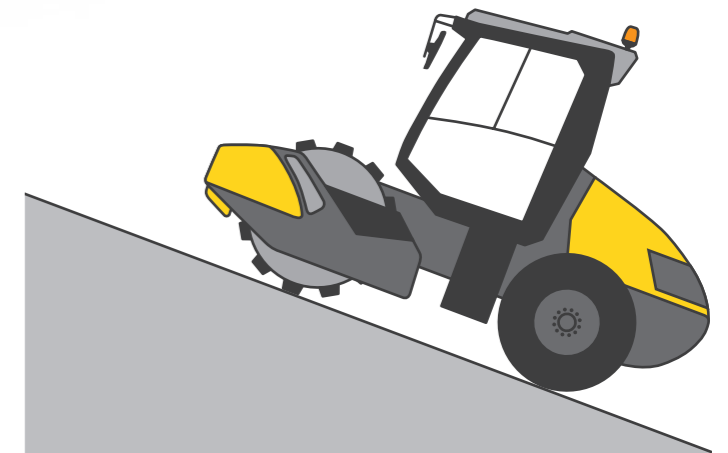
- The engine switches off automatically after a preset time, thus reducing operating hours and extending maintenance intervals



Eco-Mode for up to 20% fuel savings.



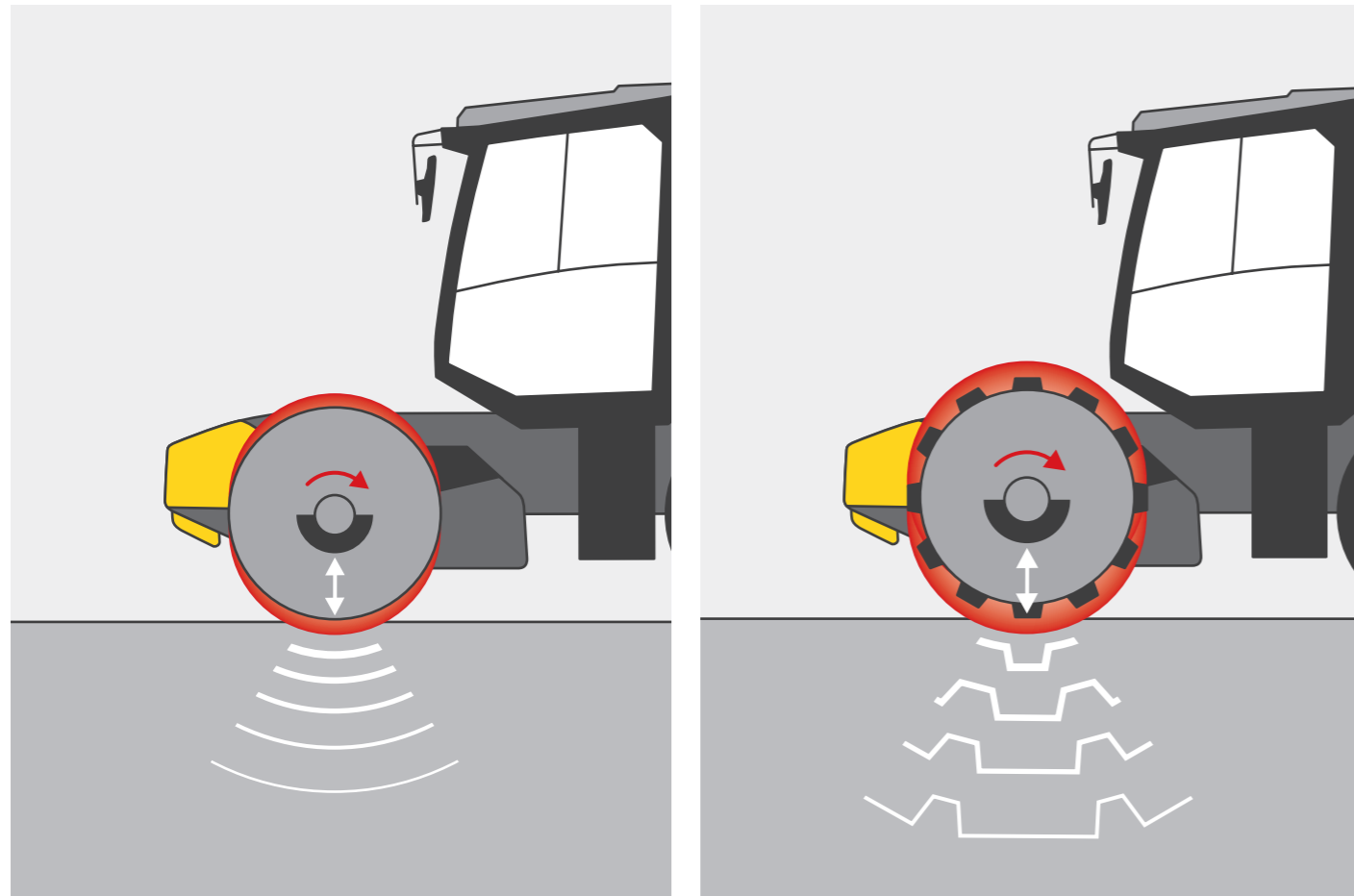
Traction control ensures that the wheels do not spin even on uneven terrain.



Master up to a 60% gradient: thanks to the powerful wheel drive.

The advantages of the tandem and combination single drum soil compactors in detail.

With the five compact tandem and combination single drum soil compactors, we have the right solution for you for various gradients, requirements and spatial conditions. In addition, the operator's cab can be outfitted to meet your individual needs.



The smooth drums of the single drum soil compactors - RC50, RC70 and RC70vo.

Due to the low depth effect, the smooth drum is ideal for applications in sensitive areas, e.g. near vibration-sensitive structures like historic buildings or on surfaces under which tubes and utility lines run.

In addition, smooth drums are ideal for:

- Non-cohesive or weakly cohesive soils, such as sand and gravel
- Surfaces that have already been processed with a cleated (padfoot) single drum soil compactors

The cleated (padfoot) drums of the single drum soil compactors- RC50P and RC70P.

The trapezoid-shaped pads of a cleated drum compact the ground through kneading and crushing. The further the compaction progress, the less the pads sink into the ground.

The application areas of cleated drums are:

- Fine-grained soils with a high water content, incorporation of binding materials, such as lime or cement, into acidic soils
- Compaction of cohesive, less supportive moist ground, as well as friable soft stone (e.g. when building dams)

One single drum soil compactor, two types of compaction – RC70vo.

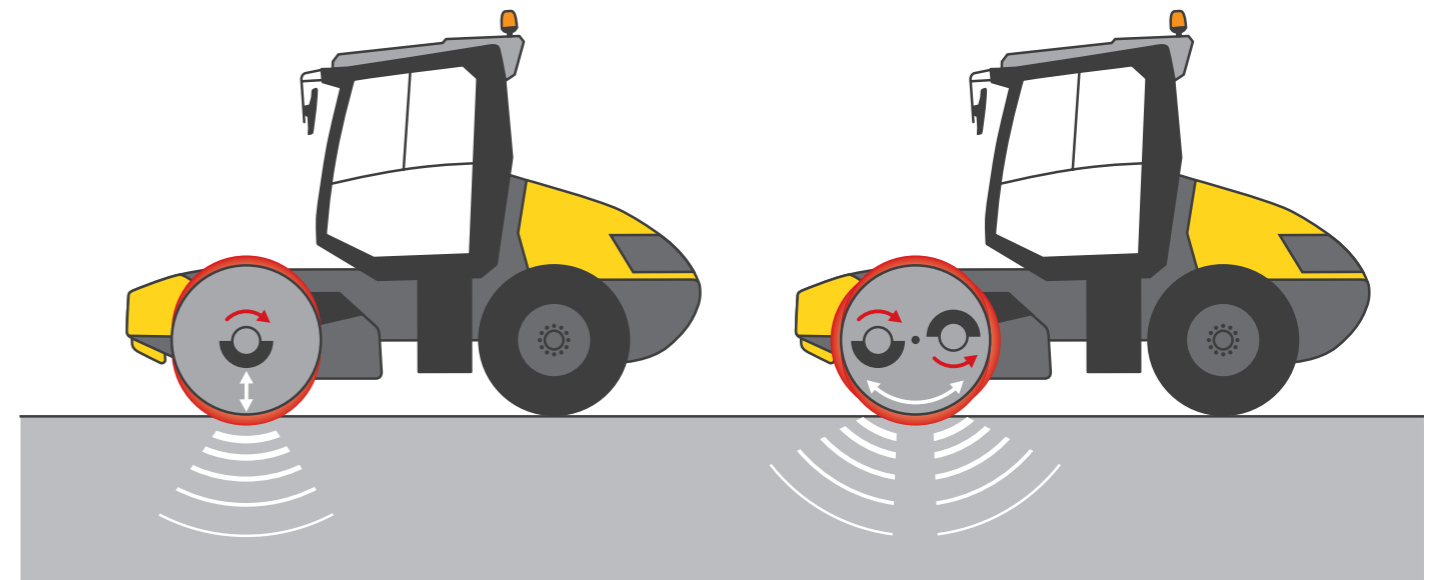
All tandem and combination drum rollers compact through vibration, but the RC70vo offers you a special extra: You can use it to choose between the vibration and oscillation operating modes.

Type of compaction 1:

Vibration for high compaction depth.

Type of compaction 2:

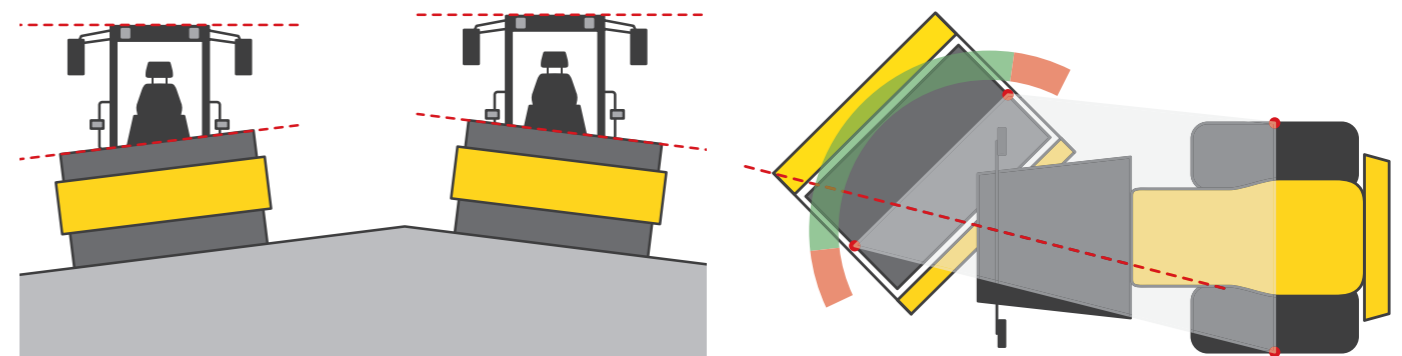
Oscillation for optimal surface compaction.



Three-point articulated pendulum joint.

The tandem and combination drum rollers are also equipped with a three-point articulated pendulum joint. It evenly distributes the weight on the drums and wheels. In addition, it also minimizes the tipping danger at a full steering angle and provides for consistently good compaction results.

In uneven terrain, the low center of gravity of the tandem and combination drum rollers provides for stable straight-ahead travel and safe maneuvering. The pendulum support in the joint protects the operator by damping the operator's stand.



Uneven ground conditions, quiet cabin:

The pendulum support has a damping effect.

Tip-safe in curves:

Thrusting force distribution always in the green range.

Trench, tandem and combination rollers.

	Unit	RTX-SC3	RD7H	RD7He	RD7A	RD7Ye	RD18-80	RD18-100	RD18-100c	RD 24e	RD 28e	RD24-100	RD24-100c	RD24-100o	RD28-120	RD28-120c	RD28-120o	RD40-130	RD40-130c	RD40-130o	RD45-140	RD45-140c	RD45-140o
Max. operating weight	kg	1,465	735	735	690	710	1,840	1,950	1,830	3,000	3,410	3,190	3,110	3,240	3,410	3,320	3,470	4,920	4,790	5,230	5,300	4,960	5,640
Operating weight w. ROPS	kg	-	-	-	-	-	1,580	1,670	1,630	2,615	2,695	2,475	2,385	2,525	2,695	2,595	2,755	3,965	3,825	4,015	4,345	3,995	4,435
Max. operating width	mm	820	650	650	650	650	856	1,056	1,000	1,110	1,250	1,050	1,050	1,050	1,250	1,220	1,250	1,350	1,338	1,350	1,430	1,380	1,430
Side overhang (left/right)	mm	-	30	30	30	30	-	-	-	-	55/ 55	55/ 55	55/ 55	55/ 55	55/ 55	55/ 55	55/ 55	63/63	63/63	63/63	63/63	63/63	63/63
Turning radius (inside)	mm	1,600	-	-	-	-	2,230	2,130	2,130	2,470	2,370	2,470	2,470	2,470	2,370	2,370	2,370	2,690	2,690	2,690	2,650	2,650	2,650
Drum type in front	-	cleated	smooth/undivided	smooth/undivided	smooth/undivided	smooth/undivided	smooth/undivided	smooth/undivided	smooth/undivided	smooth/undivided	smooth/undivided	smooth/undivided	smooth/undivided	smooth/undivided	smooth/undivided	smooth/undivided	smooth/undivided	smooth/undivided	smooth/undivided	smooth/undivided	smooth/undivided	smooth/undivided	smooth/undivided
Drum type in rear	-	cleated	smooth/undivided	smooth/undivided	smooth/undivided	smooth/undivided	smooth/undivided	smooth/undivided	-	smooth/undivided	smooth/undivided	smooth/undivided	-	smooth/undivided	smooth/undivided	-	smooth/undivided	smooth/undivided	-	smooth/undivided	smooth/undivided	-	smooth/undivided
Tire size in rear	-	-	-	-	-	-	-	-	-	-	-	-	205/60-R15	-	-	9.5/65-15	-	-	-	-	-	-	10.5-80/16
Drive	-	Kohler KDW 1.003	One cylinder, 4-stroke, air-cooled, diesel engine, Hatz engine	Honda gasoline engine air-cooled, single-cylinder, 4-stroke engine	Vertical cylinder, 4-stroke, air-cooled, diesel engine, Yanmar engine		Kubota diesel engine D1005			Electric motor	Electric motor	Kubota diesel engine D1503, with diesel particulate filter					Kubota diesel engine V2203, with diesel particulate filter						
Output	kW	14.8	7.5	7.5	8.7	6.8	16.8	16.8	16.8	16.8	24	24	24	24	24	24	24	37.4	37.4	37.4	37.4	37.4	37.4
Fuel tank capacity	l	24	5.4	5.4	5.4	5.4	33	33	33	33	42	42	42	42	42	42	42	73	73	73	73	73	73
Speed	km/h	2.5	4.5	4.5	4.5	4.5	0-11	0-11	0-11	0-11	0-12	0-12	0-12	0-12	0-12	0-12	0-12	0-11	0-11	0-11	0-11	0-11	0-11
Gradeability with/without vibration	%	45/50	26	26	26	26	30/40	30/40	30/40	30/40	35/40	30/40	30/40	35/40	30/40	30/40	35/40	30/40	30/40	30/40	30/40	30/40	30/40
Centrifugal force in front I/II	kN	68.4	22.5	22.5	22.5	22.5	25/16	25/16	25/16	25/16	46/28	46/28	46/28	46/28	52/32	52/32	52/32	64/39	64/39	64/39	64/39	64/39	64/39
Centrifugal force rear I/II	kN	68.4	22.5	22.5	22.5	22.5	25/16	25/16	-	-	-	46/28	-	-	52/32	-	-	-	-	-	64/39	-	-
Water tank capacity	l	-	60	60	60	60	70	70	70	70	180	180	180	180	180	180	180	285	285	285	285	285	285

Equipment and options (selection) for tandem and combination rollers.

	RD18	RD24	RD28	RD40	RD45
CE conformity	●	●	●	●	●
Warning signs, DIN/ISO	●	●	●	●	●
Scraper bar, fold-down	●	●	●	●	●
ROPS, fold-down	●	●	●	●	●
Black artificial leather operator's seat	●	●	●	●	●
Engine stop automatics	●	●	●	●	●
Trailer hitch	-	○	○	○	○
Hydraulic oil, standard	●	●	●	●	●
Hydraulic oil, biodegradable	○	○	○	○	○
Belt guard	●	●	●	●	●
Antifreeze injection	○	○	○	○	○
Edge pressing and cutting equip. front right	-	○	○	○	○
Cutting wheel, diameter of 350 mm	-	○	○	○	○
Drum edge lighting, LED	-	○	○	○	○
Pressure roll 45 degrees, 5 cm layer	-	○	○	○	○
Pressure roll 60 degrees, 5 cm layer	-	○	○	○	○
Track indicator	-	○	○	○	○

● Standard ○ Option - not available

Tandem and combination rollers.

	RD18	RD24	RD28	RD40	RD45
Water sprinkling for edge pressing and cutting machine	-	○	○	-	-
Complete crushed stone spreader, precision roller spreader	-	○	○	○	○
Reverse operation alarm, volume-regulating	●	●	●	●	●
Lighting StVZO [Road Traffic Licensing Regulations]	●	●	●	●	●
Work lighting on ROPS, 4-fold, LED	○	-	-	-	-
Work lighting on ROPS, 4-times, halogen	-	○	○	○	○
Rotating beacon on ROPS	●	●	●	●	●
Acoustic insulation (proofing)	○	○	○	○	○
Flow divider	-	○	○	○	○
TÜV approval	○	○	○	○	○

Trench roller.

	RTX-SC3
Smooth drums	○
Long scraper bar	○
Short scraper bar	●

Explanation of nomenclature

○ = Oscillation roller
 c = Combination roller

Drum rollers.

	Unit	RC50	RC50p	RC70	RC70p	RC70vo
Max. operating weight	kg	5,710	5,530	7,580	6,920	6,380
Operating weight with ROPS	kg	4,815	4,935	6,320	6,190	6,105
Max. operating width	mm	1,370	1,370	1,680	1,680	1,680
Left/right side clearance	mm	65/65	65/65	80/70	80/70	80/70
Turning radius (inside)	mm	3,375	3,375	3,310	3,310	3,310
Type of drum	-	Smooth/undivided	cleated	Smooth/undivided	cleated	Smooth/undivided
Tire size in rear	-	TR 12.4-24 8 PR	TR 12.4-24 8 PR	AW 14.9-24 8 TL	TR 14.9-24 8 TL	AW 14.9-24 8 TL
Drive system	-	Kubota diesel engine V3307-CR-T				
Output (ISO 14396)	kW	55.4	55.4	55.4	55.4	55.4
Fuel tank capacity	l	123	123	123	123	123
Infinitely variable speed	km/h	0–12.5	0–12.5	0–12.5	0–12.5	0–12.5
Gradeability with/without vibration	%	55/60	55/60	55/60	55/60	55/60
Centrifugal force in front I/II	kN	69	69	125/95	125	123

Equipment and options (selection) for drum rollers.

	RC50	RC50p	RC70	RC70p	RC70vo
Paint 1 RAL color + gray	○	○	○	○	○
Rigid steering column	●	●	●	●	●
Tiltable steering column	○	○	○	○	○
Diamond tread tire set	●	○	●	○	●
Set of tires with tractor tread	○	●	○	●	○
CE conformity	●	●	●	●	●
Warning signs, DIN/ISO	●	●	●	●	●
Scraper bar	○	●	○	●	○
Rigid ROPS, with canopy	●	●	●	●	●
ROPS cab with heater, FOPS tested (Level I), 1 access door	○	○	○	○	○
Air-conditioning system	○	○	○	○	○

● Standard ○ Option – not available

All information relates to the base machine. Subject to changes.

The product range of Wacker Neuson includes over 300 different product groups with different versions. The product data may vary accordingly with the selection of different options.

The Wacker Neuson products shown are examples and as such are subject to regular changes. We are happy to make you a specific offer upon request!

Reproduction only with the written approval of Wacker Neuson.

© Wacker Neuson SE

Configuration options.

Drum rollers.

	RC50	RC50p	RC70	RC70p	RC70vo
Standard travel lever	●	●	●	●	●
Travel lever with selection of dozer blade	○	○	○	○	○
Black artificial leather operator's seat	●	●	●	●	●
Black artificial leather operator's seat, comfort outfitting	○	○	○	○	○
Right/left seat adjustment	○	○	○	○	○
Hydraulic oil, standard	●	●	●	●	●
Hydraulic oil, biodegradable	○	○	○	○	○
Radio	○	○	○	○	○
Rigid ROPS	○	○	○	○	○
Synthetic material canopy with integrated FOPS (Level I)	○ ¹	○ ¹	○ ¹	○ ¹	○ ¹
Dozer blade	○	○	○	○	–
Two-part cleated shells, not mounted	○	–	○	–	–
Spare tire set with tractor tread	○	○	○	○	○
Spare tire set, all-weather	○	○	○	○	○
Earthworks compaction control	○	○	○	○	○
Speedometer	○	○	○	○	○
Engine stop automatics	○	○	○	○	○
Vibration frequency display	○	○	○	○	○
Rear-view camera	○ ²	○ ²	○ ²	○ ²	○ ²
Reverse operation alarm, volume-regulating	●	●	●	●	●
Vibration automatic	○	○	○	○	○
Lighting StVZO [Road Traffic Licensing Regulations]	● ³	● ³	● ³	● ³	● ³
Work lighting, 4-fold, halogen	○	○	○	○	○
Work lighting, 4-fold, LED	○	○	○	○	○
Rotating beacon	●	●	●	●	●
Battery disconnecter switch, electronic	○	○	○	○	○
TÜV approval	○	–	○	–	○

● Standard ○ Option – not available

¹ Only available for "rigid ROPS" option
² Not available for "rigid ROPS" option
³ Mandatory for selection "TÜV approval"

Explanation of nomenclature

vo = Vibration or oscillation adjustable

p = Roller with cleated drum

Wacker Neuson – all it takes.



Concrete technology



Vibratory rammers



Vibratory plates



Rollers



Demolition technology



Generators



Lighting



Pumps



Excavators



Wheel loader(s)



Telehandler



Dumpers



Financial solutions



Repair & maintenance



Academy



EquipCare & EquipCare Pro



Rental



Concrete specialists



eStore



Spare parts



Used machines



ConcreteTec



wackerneuson.com



Facebook
wackerneuson



Instagram
@wackerneuson



YouTube
Wacker Neuson



LinkedIn
Wacker Neuson



TikTok
@wacker.neuson



WN.EMEA.10379.V03.EN-US

03/2024 EN